

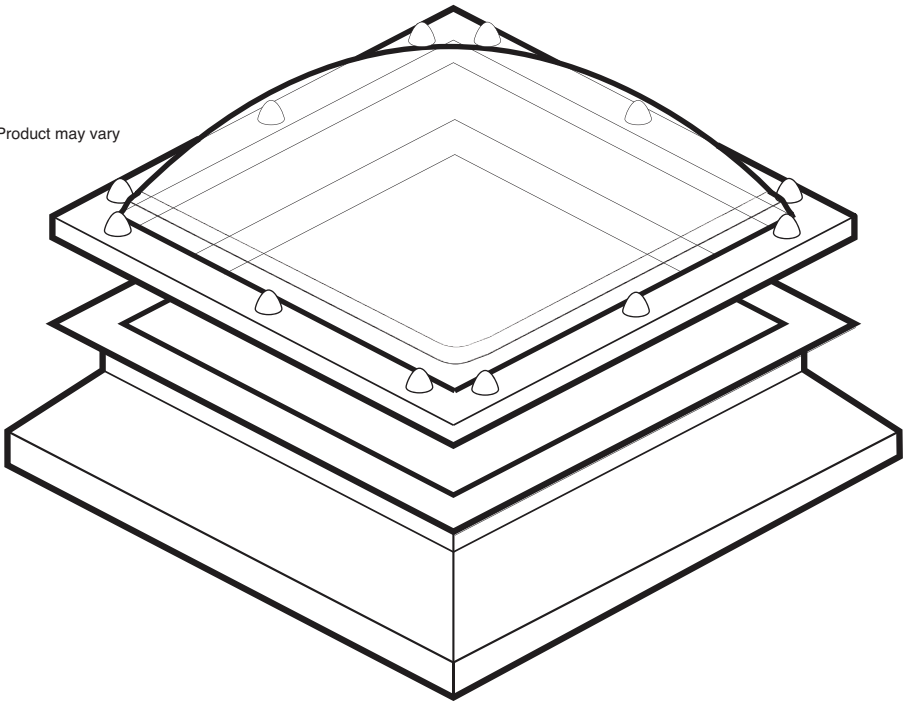
INSTALLATION INSTRUCTIONS

Rooflight

These instructions should be used for:

- Installing Permanent Trickle Ventilation
- Constructing & Waterproofing a Timber Upstand Curb
- Installing Adaptor or Collar
- Installing Linked Adaptor or Collar
- Installing Flange
- Installing Aluminium Opening Frame
- Factory Installed PVC Opening Frame
- Installing Rooflight

Product may vary



Whitesales®
Rooflights & more...

002 G
ISSUE 2

Rooflight

These instructions should be used for:

Installing Permanent Trickle Ventilation	See 01
Constructing & Waterproofing a Timber Upstand Curb	See 02
Installing Adaptor or Collar	See 03
Installing Linked Adaptor or Collar	See 04
Installing Flange	See 05
Installing Aluminium Opening Frame	See 06
Factory Installed PVC Opening Frame	See 07
Installing Rooflight	See 08

Please read carefully prior to installation. Contact your supplier if in any doubt.

Handling & Storage

While all rooflights and associated products are suitably packaged to avoid damage, care should be exercised when handling. For moving larger items, two or more people may be needed.

All Rooflights, adaptors, collars and accessories must be stored on a flat dry surface under cover prior to fixing. Rooflights should be stored on edge, not stacked horizontally and protected from the rain.

Rooflights should not at any time be left in direct sunlight until installation is complete. Heavy items should not be placed on top as this can lead to damage or distortion.

The HSE Publication Safety in Roofwork HSG33 gives good advice on the precautions of safe working practices and procedures that need to be adopted when working on roofs.

NOTE: High security fixings are supplied with all products and are designed to prevent subsequent removal.

Maintenance

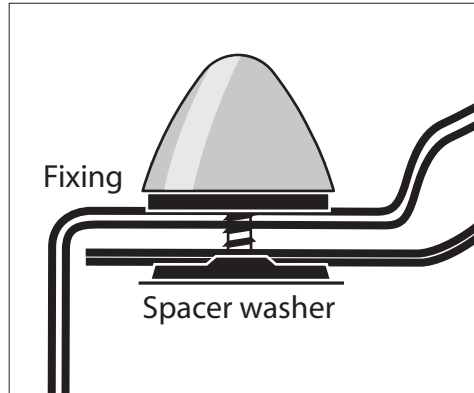
Whilst polycarbonate domes (red plastic caps) are deemed 'Non-Fragile', rooflights should be treated as fragile surfaces and should not be walked upon under any circumstances.

Check fixings, opening frames, ventilation and sealing tape where applicable once a year. Avoid all contact with: Silicone, Wood Preservative, Adhesives and Sealing Tapes.

Remove tar stains with turpentine and rinse with plenty of water. Clean with mild soapy water (no abrasives) and always rinse with plenty of water. In normal weather and site conditions, only occasional cleaning is required. No other maintenance should be necessary.

01: Installing Permanent Trickle Ventilation (Spacer Washers)

These can be fitted with any of the above combinations. Before fixing rooflight, remove foam tape from underside of rooflight. Fix rooflight (as detailed elsewhere) with neoprene spacer washers between curb and rooflight at each fixing point.

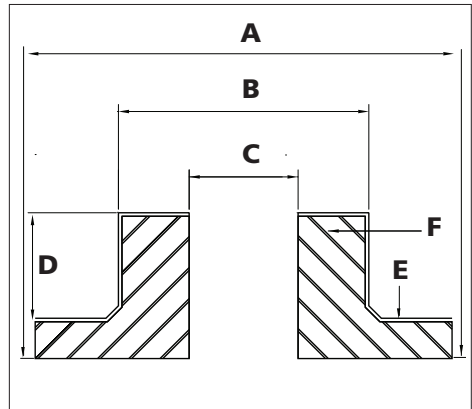


02: Constructing & Waterproofing a Timber Upstand Curb

Construct the upstand using 50mm thick timber to finish 150mm above finished roof level.

Upstand must be flat-topped (straight, level, square etc). Apply the waterproofing (in accordance with Manufacturers Recommendations) up and right across top of upstand to give a flat even surface.

Construct the upstand 60mm less than the overall rooflight size (stated on rooflight packaging).



e.g. Size Ref No S7

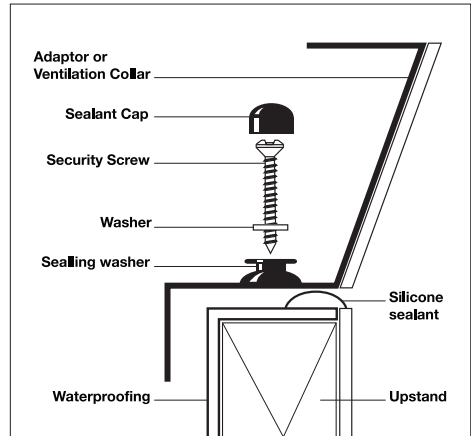
A Overall Rooflight Size	960 x 960mm
B Overall Upstand Size (External)	900 x 900mm
C Internal Upstand Size (inc Lining)	800 x 800mm
D Minimum Height	150mm
E Waterproofing	
F Builders Kerb	

This will provide for a maximum water proofing thickness of 15mm all round.

Note: For asphalt in excess of 13mm thick, contact your supplier).

03: Installing Adaptor Collar

Upstand must be level and square (minimum of 150mm high). Bed the adaptor or collar onto the upstand using a generous bead of silicone sealant (not supplied) inside the fixing line. Drill 6mm fixing holes in bottom flange (use the same number of fixings as the dome) and remove swarf. Securely fix using sealer washers and caps and 50mm security screws* supplied. Apply a bead of silicone sealant (not supplied) to the internal joint of the unit and the existing upstand.



04: Installing Linked Adaptor or Collar

Bed the adaptors or collar on to existing upstand (which must be minimum 150mm high) using silicone sealant (not supplied) with cover plates positioned centrally under joints.

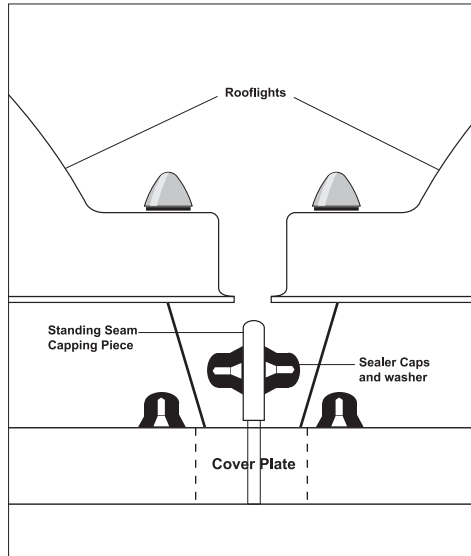
NB Ensure silicone sealant is applied to inner edges of the standing seam

Press standing seam capping firmly over joint and drill 8mm hole through complete joint at either end. Bolt together using fixings supplied.

Drill bottom flange and fix using standard instructions.

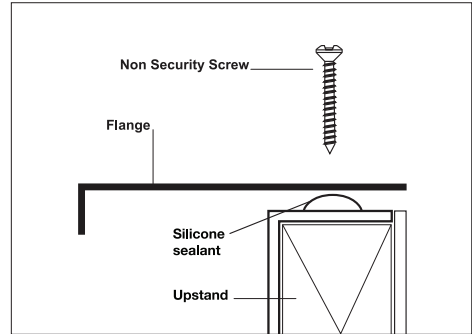
Fix loose PVC lining supplied to underside of joint gutter. If central support is in place, lining is not required.

Finish joint internally using white silicone sealant (not supplied).



05: Installing Flange

Upstand must be level and square (minimum of 150mm high). Bed the flange on to the upstand using a generous bead of silicone sealant (not supplied). Drill a 6mm fixing hole and remove swarf. Securely fix using 50mm non-security screws* supplied (use same number of fixings as dome).



06: Installing Aluminium Opening Frame

Upstand must be level and square (minimum of 150mm high) with flat top.

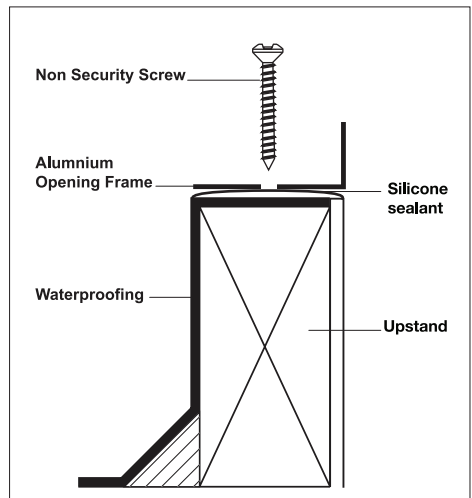
Bed the L Section base frame onto the upstand using a generous bead of silicone sealant (not supplied).

Drill 6mm fixing holes and remove swarf (same number of fixings as rooflight). Securely fix using 50mm non-security screws* supplied.

For opening ventilation (spindle). Clip the opening spindle into the mounting brackets.

Adjust as necessary using the inner spindle to give the correct closed position. (See instructions on spindle packaging). Ensure spindle is aligned vertically before fixing rooflight.

For opening access hatch, operate the locking handle using the key supplied and adjust the knurled friction controls on struts according to rooflight weight, and site conditions.



IMPORTANT: The overall upstand size must be 60mm smaller than the overall rooflight size (stated on rooflight packaging). (See CO1 for Constructing a Timber Upstand Curb), and internally must be 160mm smaller than overall rooflight size.

07: Factory Installed PVC Opening Frames

It may be necessary to remove factory installed PVC opening frames (to assist waterproofing of proprietary curbs or to simplify installation of curb adaptors. Due to its quick assembly hinge design, this is a simple operation. The frame should be opened to approximately 135°, at which point the upper and lower hinge plates unlock, and lift off.

To refit, hold frame at approx 135° and locate upper and lower hinge plates correctly, i.e. the upper hinge plates should be housed completely within the lower hinge plates. Carefully close. Inspect the hinges to check that they are securely locked together.

Note:

Some factory fitted opening frames cannot be removed easily (access hatches, smoke vents etc.). Frame should be held in the open position whilst fitting adaptor and collar, or waterproofing proprietary curb on 3 accessible sides. Frame should then be closed. If supplied with proprietary curb, waterproofing should be completed with extreme care to 4th side.)

For opening ventilation (manual or electric). Clip the opening spindle into the mounting brackets. Adjust as necessary using the inner spindle to give the correct closed position (see instructions on spindle packaging). ***Ensure spindle is aligned vertically before fixing dome.***

For opening access hatch, operate the locking handle using the key supplied and adjust the knurled friction controls on struts according to dome weight, and site conditions. **In the case of gas assisted struts this adjustment is not necessary.**

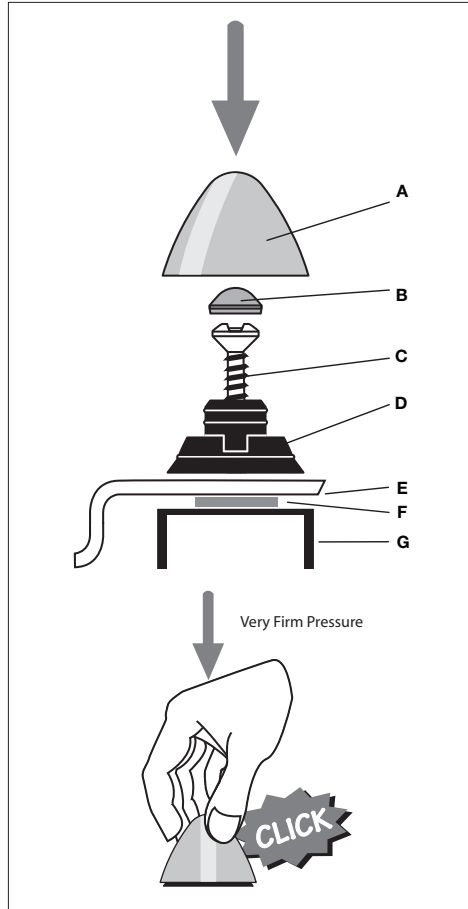
08: Installing the Rooflight

Evenly position rooflight on to the waterproofed upstand or frame. Securely fix the rooflight using security screws* supplied.

When fixing rooflight to aluminium opening frames mark hole positions through rooflight and drill 6mm clearance holes in opening frame. Use security nut and bolts supplied.

For PVCu, GRP or timber no pilot drilling is required. **Do not overtighten.** Install anti burglar cap. Locate the coloured weather cap onto the black screwbolt body then press the coloured cap downwards **very firmly** to fully locate (when correctly located a distinctive click will be heard).

* For fixing to existing upstands other than timber (e.g. Concrete) Use fixings with an appropriate plug (not supplied). However, because site conditions are clearly beyond our control, it is the contractors responsibility to ensure fixings give adequate hold to existing upstand. If in any doubt, contact your supplier.



Installation Parts

- A** Weather Cap
- B** Anti Burglar Cap
- C** Security one way screw (do not overtighten). Security nut and bolt for aluminium opening frames.
- D** Screwbolt Body
- E** Rooflight
- F** Foam Tape
- G** Upstand



Whitesales®
Rooflights & more...

Europa House,
Alfold Road,
Cranleigh
GU6 8NQ

Tel: 01483 271371

Fax: 01483 271771

Email: sales@whitesales.co.uk

Website: www.whitesales.co.uk