

**NBS Specification**

L10 - Windows / Rooflights / Screens / Louvres  
460 - Rooflights

**Manufacturer** : Whitesales Europa House Alfold Road Cranleigh GU6 8NQ  
Tel 01483 271371 Fax 01483 271771 E-mail sales@whitesales.co.uk

**Product Reference** : Em-View

**Type** : Flat glaze

**Size** : *Specify from Product literature*

**Frame** : Screwbolt - High security

**Kerb** : Builders Curb

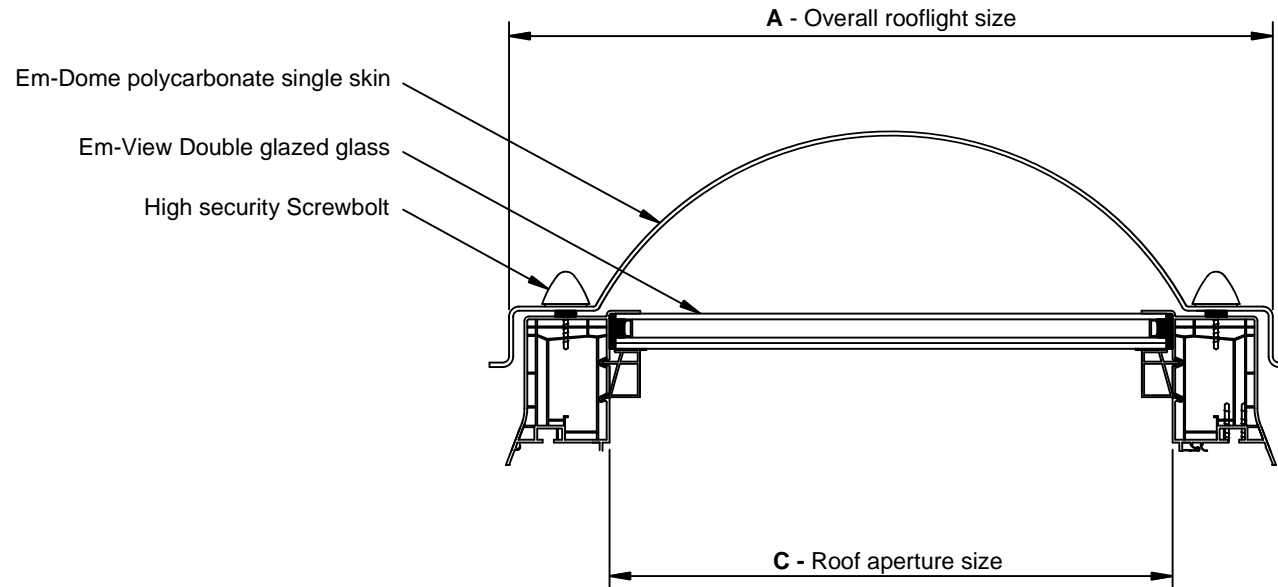
**Material** : PVCu - white self finish

**Glazing details** : Double glazed 4mm toughened clear outer,  
15mm Argon filled cavity, 6.6mm laminated clear inner unit /  
Polycarbonate single skin dome

**Finish** : *Specify from Product literature*

**Other requirements** : Aluminium Cover Cowl

**Fixing** : Please consult Whitesales for recommendations



WHITESALES  
DRG No 5001

Em-View double glazed unit rooflight complete with  
Em-Dome polycarbonate single skin rooflight  
installed to waterproofed curb