

**NBS Specification**

L10 - Windows / Rooflights / Screens / Louvres  
460 - Rooflights

**Manufacturer :** Whitesales Europa House Alfold Road Cranleigh GU6 8NQ  
Tel 01483 271371 Fax 01483 271771 E-mail sales@whitesales.co.uk

**Product Reference :** Em-View

**Type :** Flat glaze

**Size :** Specify from Product literature

**Frame :** Screwbolt - High security

**Kerb :** Em-Curb PVCu 300s. Height 300mm

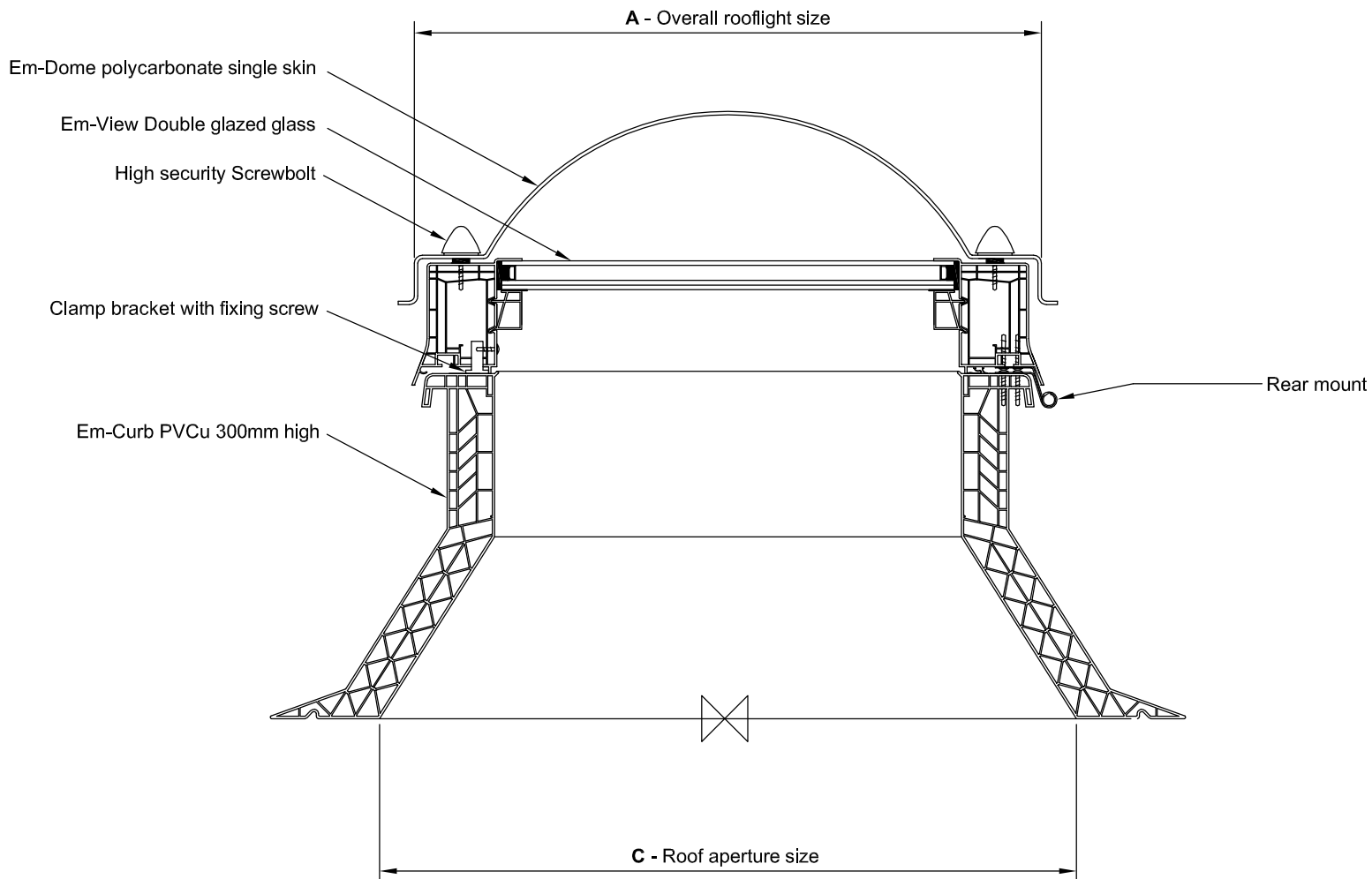
**Material :** PVCu - white self finish

**Glazing details :** Double glazed 4mm toughened clear outer,  
15mm Argon filled cavity, 6,6mm laminated clear inner unit /  
Polycarbonate single skin dome

**Finish :** Specify from Product literature

**Other requirements :**

**Fixing :** Please consult Whitesales for recommendations



WHITESALES  
DRG No 5051

Em-View double glazed unit rooflight complete with  
Em-Dome polycarbonate single skin rooflight and splayed  
Em-Curb PVCu 300mm high installed to prepared roof aperture