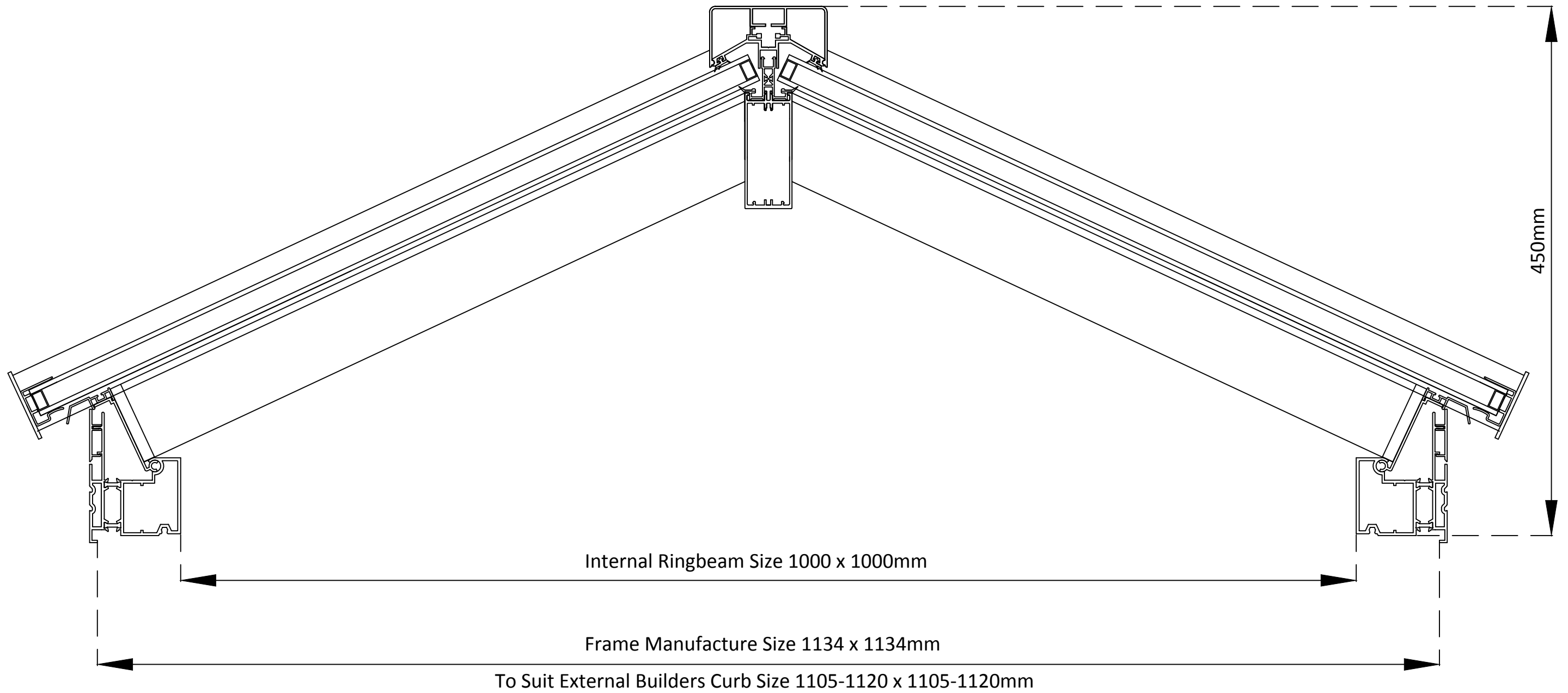


EGMR-S9 Builders Curb



Sign: _____

Print: _____

Date: _____

Project:			
Glass specification: - 4mm Neutral Active - 16mm Argon Filled Cavity - 4mm Clear Low E			
Colour	Top Cap Material	Top Cap Style	Rooflight Pitch
RAL 9910	Aluminium	Flat	25°

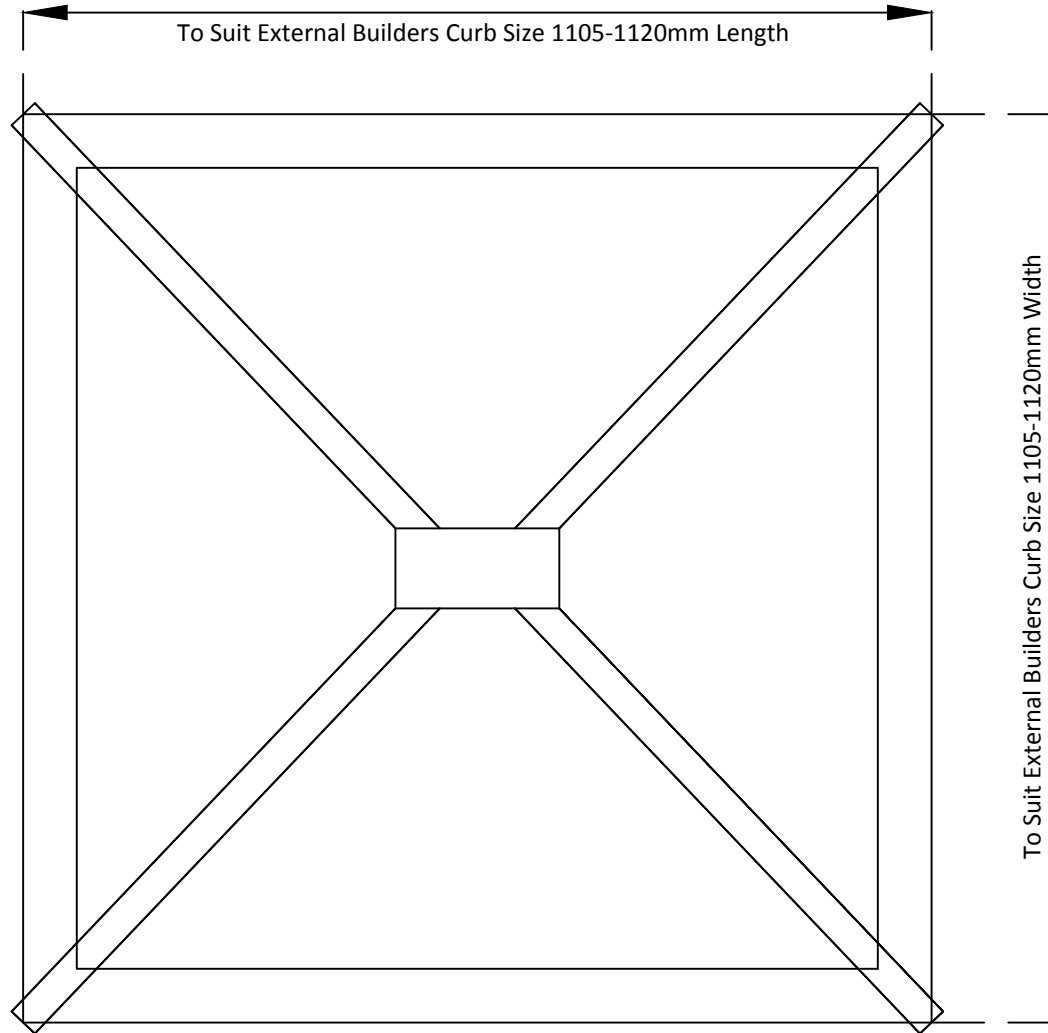
Project No.	
Drawing No.	S9MR
Date	11 January 2016
Drawn By	K James
Scale	NTS
Format	A3
Dimensions	mm



Whitesales®
Rooflights & more...

Whitesales Ltd, Europa House, Alfold Road, Cranleigh,
Surrey, GU6 8NQ
T: +44(0)1483 271 371
F: +44(0)1483 271 771
E: sales@whitesales.co.uk
www.whitesales.co.uk

EGMR-S9 Builders Curb



Sign: _____	Project:				Project No.	
	Glass specification: - 4mm Neutral Active - 16mm Argon Filled Cavity - 4mm Clear Low E				Drawing No.	S9MR
Print: _____	Colour	Top Cap Material	Top Cap Style	Rooflight Pitch	Date	11 January 2016
	RAL 9910	Aluminium	Flat	25°	Drawn By	K James
Date: _____					Scale	NTS
					Format	A3
				Dimensions	mm	



Whitesales®
Rooflights & more...

Whitesales Ltd, Europa House, Alfold Road, Cranleigh
Surrey, GU6 8NQ
T: +44(0)1483 271 371
F: +44(0)1483 271 771
E: sales@whitesales.co.uk
www.whitesales.co.uk