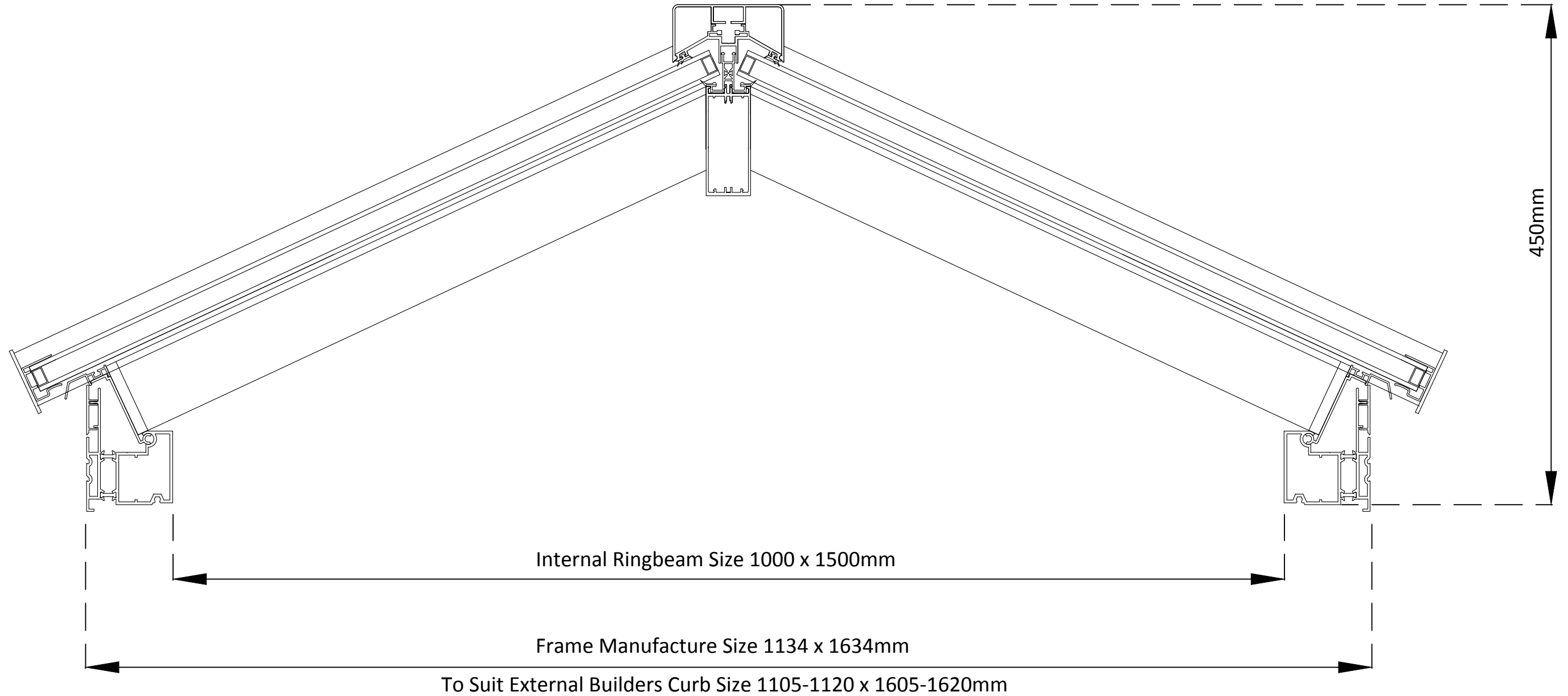


EGMR-R17a  
Builders Curb



Sign: \_\_\_\_\_

Print: \_\_\_\_\_

Date: \_\_\_\_\_

Project:			
Glass specification: - 4mm Neutral Active - 16mm Argon Filled Cavity - 4mm Clear Low E			
Colour	Top Cap Material	Top Cap Style	Rooflight Pitch
RAL 9910	Aluminium	Flat	25°

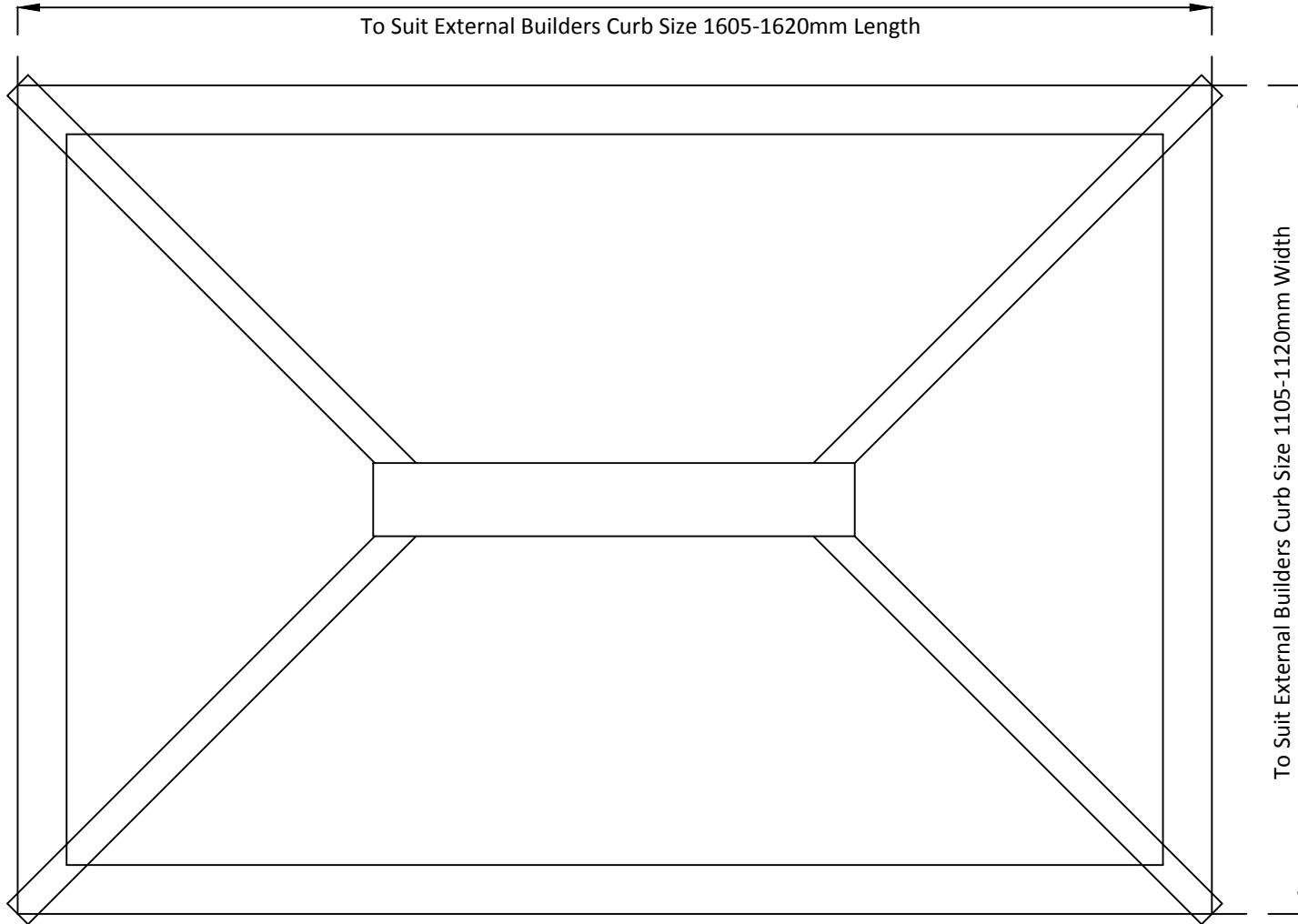
Project No.	
Drawing No.	R17aMR
Date	11 January 2016
Drawn By	K James
Scale	NTS
Format	A3
Dimensions	mm



**Whitesales<sup>®</sup>**  
Rooflights & more...

Whitesales Ltd, Europa House, Alfold Road, Cranleigh,  
Surrey, GU6 8NQ  
T: +44(0)1483 271 371  
F: +44(0)1483 271 771  
E: sales@whitesales.co.uk  
www.whitesales.co.uk

**EGMR-R17a  
Builders Curb**



Sign: _____	Project:				Project No.	
					Drawing No.	R17aMR
Print: _____	Glass specification: - 4mm Neutral Active - 16mm Argon Filled Cavity - 4mm Clear Low E				Date	11 January 2016
					Drawn By	K James
Date: _____	Colour	Top Cap Material	Top Cap Style	Rooflight Pitch	Scale	NTS
	RAL 9910	Aluminium	Flat	25°	Format	A3
					Dimensions	mm



**Whitesales**  
Rooflights & more...

Whitesales Ltd, Europa House, Alford Road, Cranleigh  
Surrey, GU6 8NQ  
T: +44(0)1483 271 371  
F: +44(0)1483 271 771  
E: sales@whitesales.co.uk  
www.whitesales.co.uk