

NBS Specification

L10 - Windows / Rooflights / Screens / Louvres
460 - Rooflights

Manufacturer : Whitesales Europa House Alfold Road Cranleigh GU6 8NQ

Tel 01483 271371 Fax 01483 271771 E-mail sales@whitesales.co.uk

Product Reference : Em-Glaze and Em-Curb

Type : Flat Glazed Glass

Size : *Specify from Product literature*

Frame : Screwbolt - High security

Kerb : Em-Curb PVCu 150s. Height 150mm

Material : PVCu - white self finish

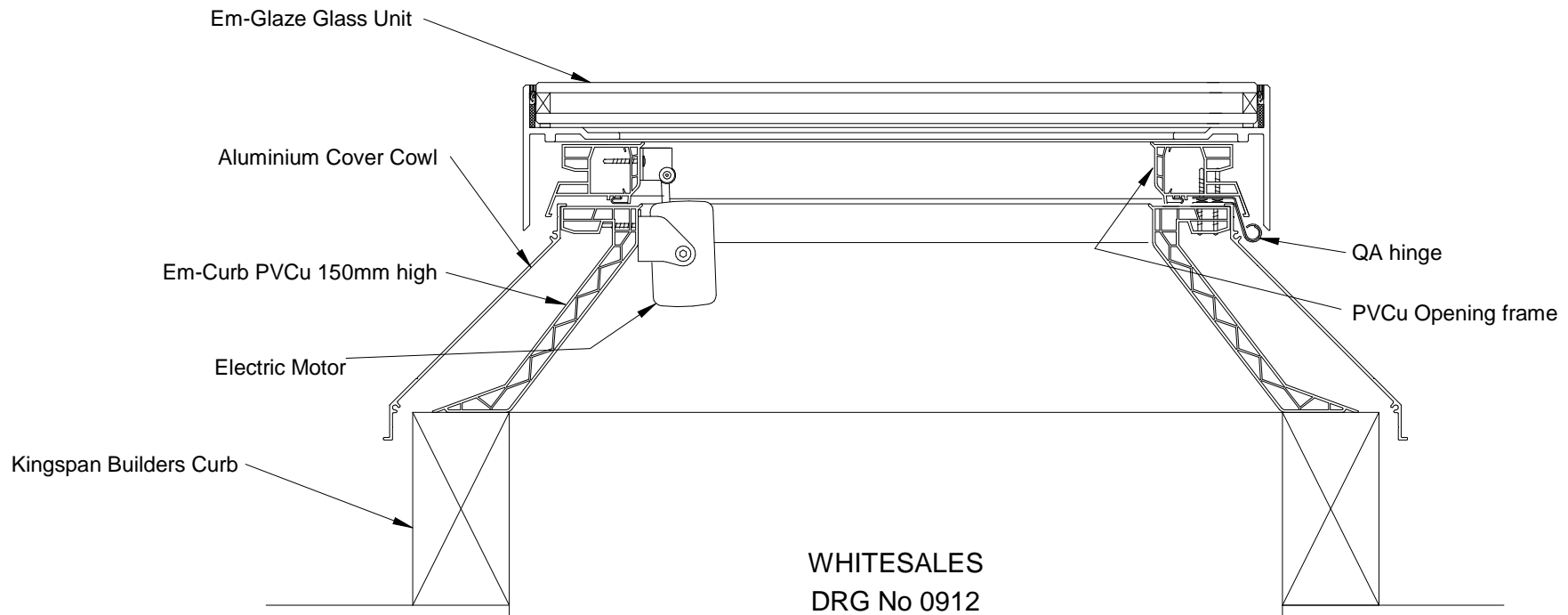
Glazing details : Glass double skin

Finish : *Specify from Product literature*

Other requirements : PVCu opening frame and electric motor and weathering cowl

Fixing : Please consult Whitesales for recommendations

A-
Overall rooflight size



Em-Glaze glass double glazed rooflight
complete with splayed Em-Curb PVCu 150mm high
and PVCu opening frame and electric motor and weathering cowl
installed to prepared roof aperture