

NBS Specification

L10 - Windows / Rooflights / Screens / Louvres
460 - Rooflights

Manufacturer : Whitesales Europa House Alfold Road Cranleigh GU6 8NQ
Tel 01483 271371 Fax 01483 271771 E-mail sales@whitesales.co.uk

Product Reference : Em-Dome and Em-Curb

Type : Dome

Size : *Specify from Product literature*

Frame : Screwbolt - High security

Kerb : Em-Curb PVCu 50. Height 50mm adaptor

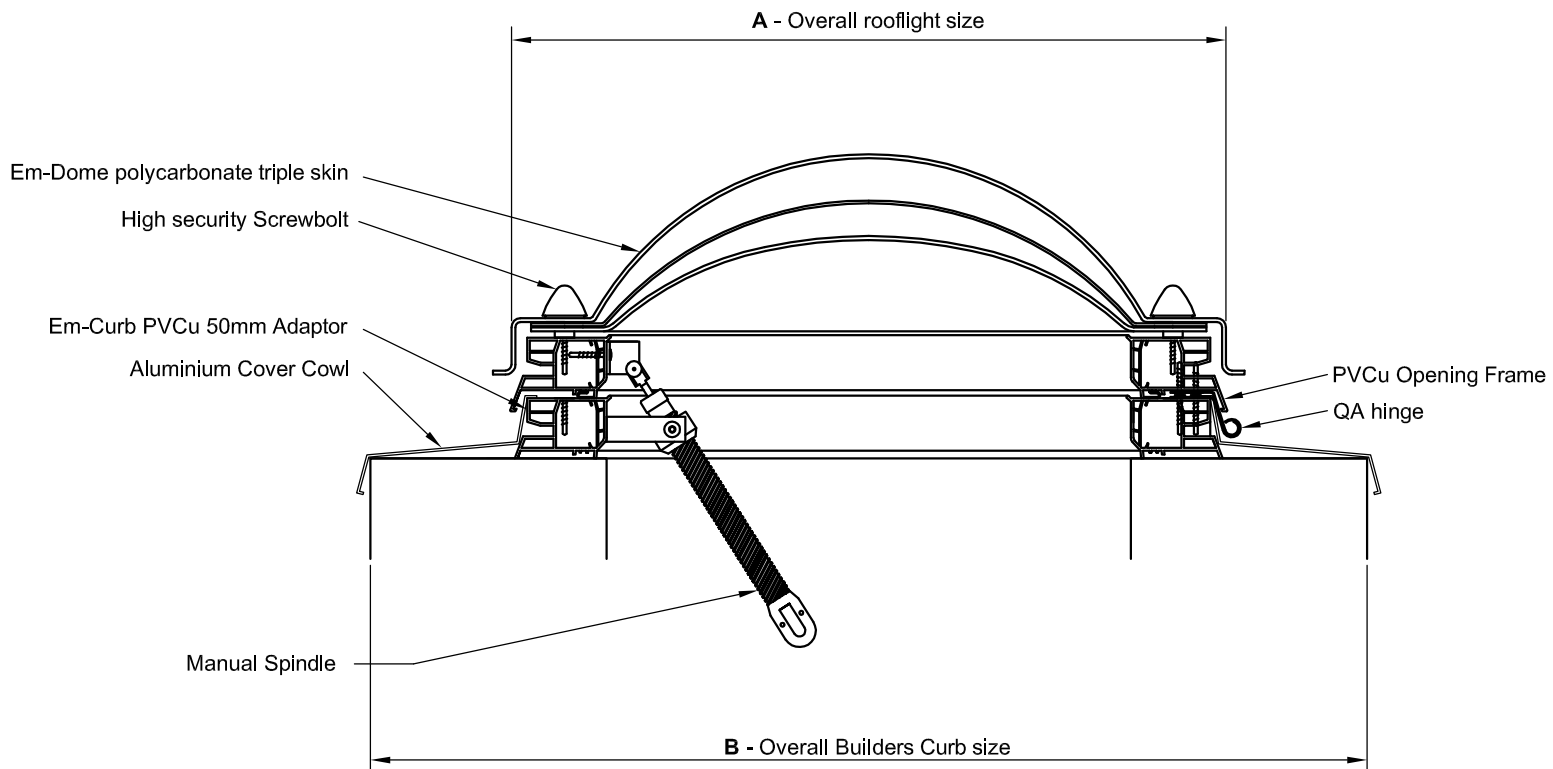
Material : PVCu - white self finish

Glazing details : Polycarbonate triple skin

Finish : *Specify from Product literature*

Other requirements : PVCu Opening frame, Manual Spindle and Aluminium Cover Cowl

Fixing : Please consult Whitesales for recommendations



WHITESALES

DRG No 1863

Em-Dome polycarbonate triple skin rooflight
complete with Em-Curb PVCu 50mm high adaptor
and PVCu opening frame and manual spindle
installed to waterproofed builders curb