

**NBS Specification**

L10 - Windows / Rooflights / Screens / Louvres  
460 - Rooflights

**Manufacturer** : Whitesales Europa House Alfold Road Cranleigh GU6 8NQ  
Tel 01483 271371 Fax 01483 271771 E-mail sales@whitesales.co.uk

**Product Reference** : Em-Dome and Em-Curb

**Type** : Dome

**Size** : *Specify from Product literature*

**Frame** : Screwbolt - High security

**Kerb** : Em-Curb PVCu 150v. Height 150mm

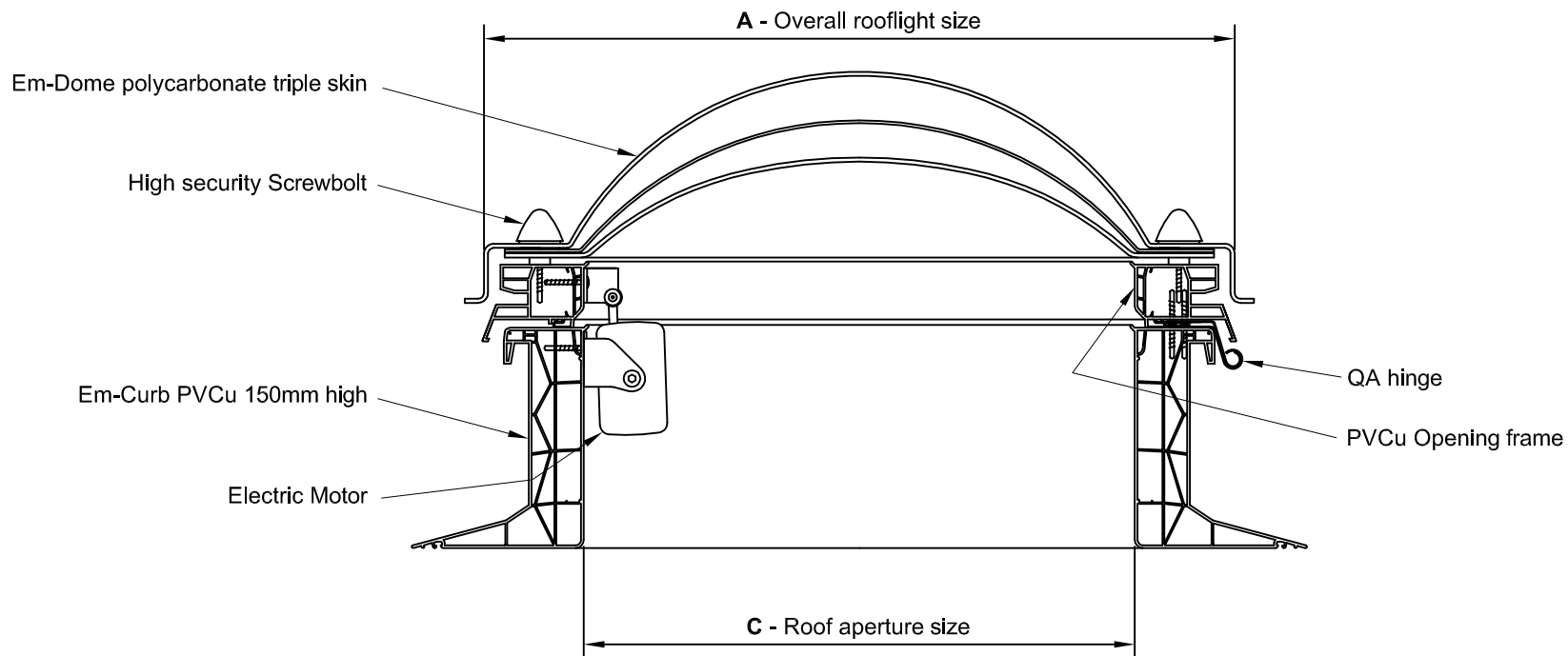
**Material** : PVCu - white self finish

**Glazing details** : Polycarbonate triple skin

**Finish** : *Specify from Product literature*

**Other requirements** : PVCu opening frame and electric motor

**Fixing** : Please consult Whitesales for recommendations



WHITESALES

DRG No 0933

Em-Dome polycarbonate triple skin rooflight  
complete with vertical Em-Curb PVCu 150mm high  
and PVCu opening frame and electric motor  
installed to prepared roof aperture / waterproofed builders curb