

**NBS Specification**

L10 - Windows / Rooflights / Screens / Louvres  
460 - Rooflights

**Manufacturer :** Whitesales Europa House Alfold Road Cranleigh GU6 8NQ  
Tel 01483 271371 Fax 01483 271771 E-mail sales@whitesales.co.uk

**Product Reference :** Em-Dome and Em-Curb

**Type :** Dome

**Size :** Specify from Product literature

**Frame :** Screwbolt - High security

**Kerb :** Em-Curb PVCu 150v. Height 150mm

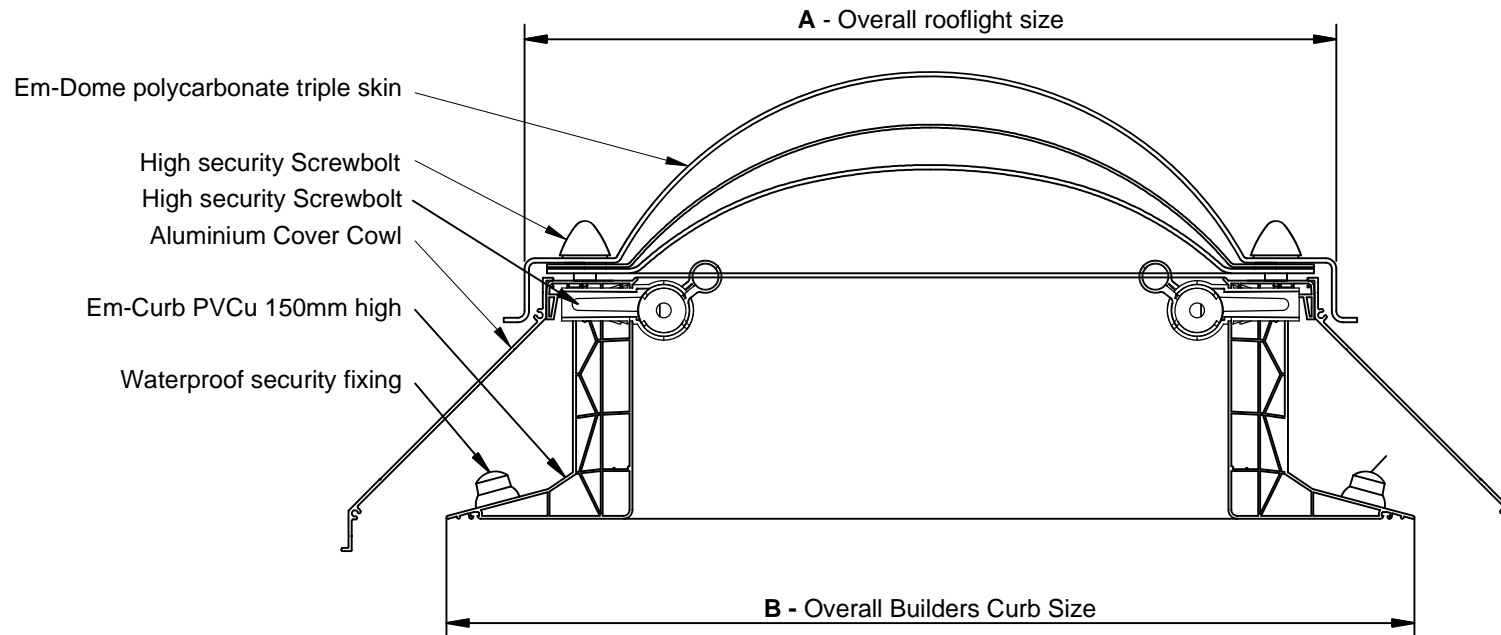
**Material :** PVCu - white self finish

**Glazing details :** Polycarbonate triple skin

**Finish :** Specify from Product literature

**Other requirements :** Aluminium Cover Cowl, controllable rotating trickle vents

**Fixing :** Please consult Whitesales for recommendations



WHITESALES

DRG No 1623

Em-Dome polycarbonate triple skin rooflight  
complete with vertical Em-Curb PVCu 150mm high and aluminium cover cowl,  
and controllable rotating trickle vents fitted to two sides  
installed to waterproofed builders curb