

NBS Specification

L10 - Windows / Rooflights / Screens / Louvres
460 - Rooflights

Manufacturer : Whitesales Europa House Alfold Road Cranleigh GU6 8NQ

Tel 01483 271371 Fax 01483 271771 E-mail sales@whitesales.co.uk

Product Reference : Em-Dome and Em-Collar

Type : Dome

Size : *Specify from Product literature*

Frame : Screwbolt - High security

Kerb : Em-Collar PVCu ECO 150s. Height 150mm

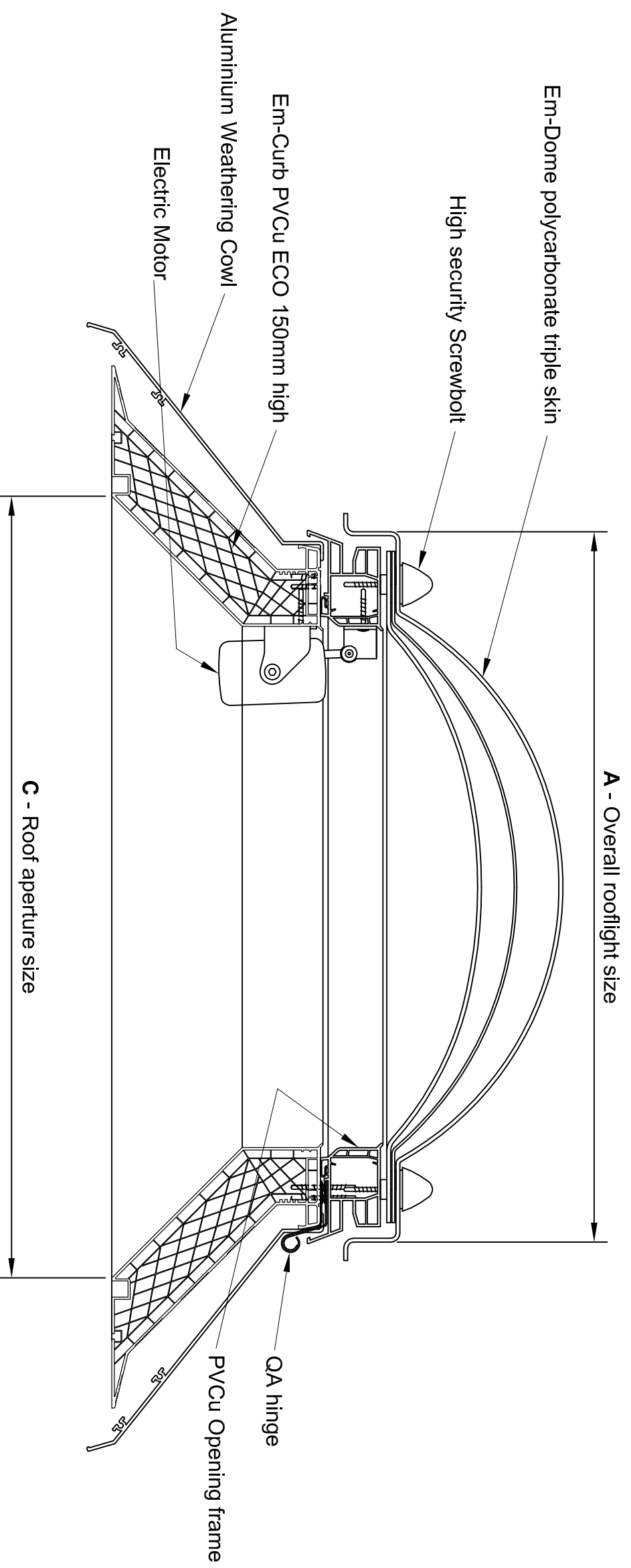
Material : PVCu - white self finish

Glazing details : Polycarbonate triple skin

Finish : *Specify from Product literature*

Other requirements : PVCu opening frame, electric motor, aluminium cowl

Fixing : Please consult Whitesales for recommendations



WHITESALES

DRG No 0953A

Em-Dome polycarbonate triple skin rooflight
complete with splayed Em-Collar PVCu ECO 150mm high
and PVCu opening frame and electric motor
installed to prepared roof aperture