

NBS Specification

L10 - Windows / Rooflights / Screens / Louvres
460 - Rooflights

Manufacturer : Whitesales Europa House Alfold Road Cranleigh GU6 8NQ
Tel 01483 271371 Fax 01483 271771 E-mail sales@whitesales.co.uk

Product Reference : Em-Dome and Em-Curb

Type : Dome

Size : *Specify from Product literature*

Frame : Screwbolt - High security

Kerb : Em-Curb PVCu 150s. Height 150mm

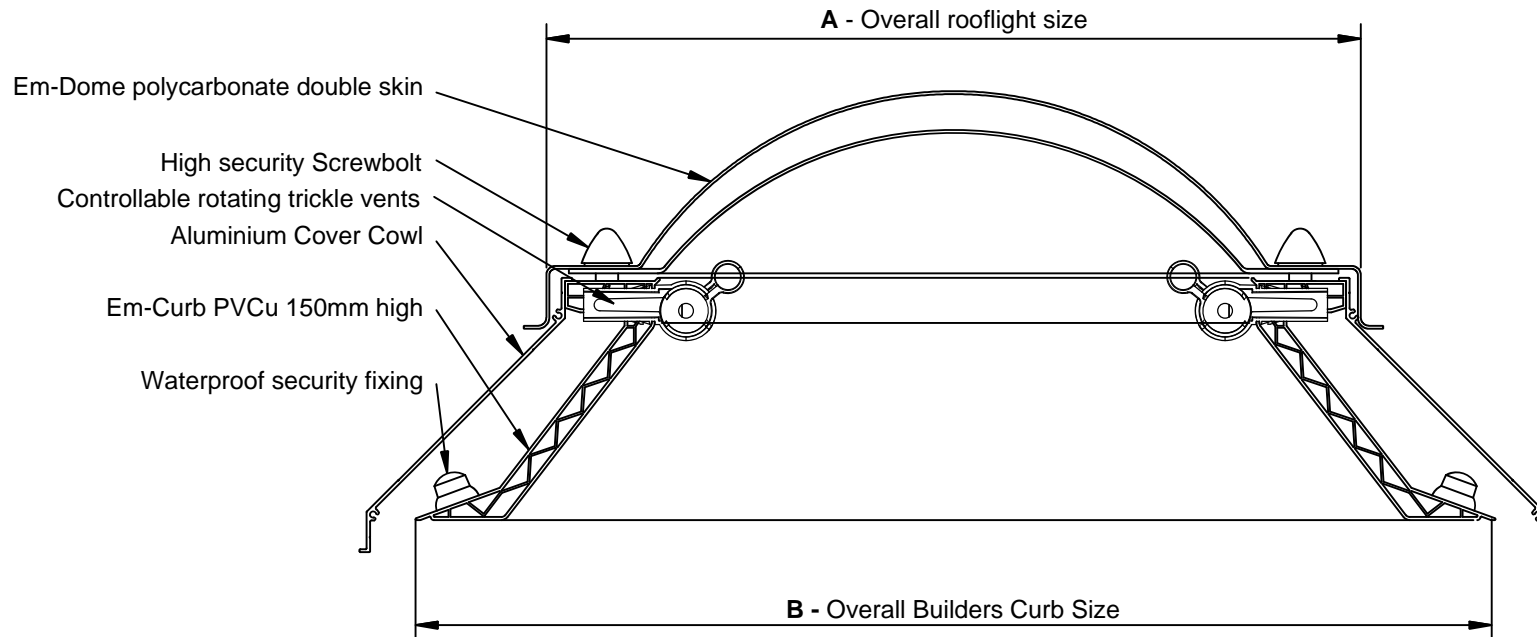
Material : PVCu - white self finish

Glazing details : Polycarbonate double skin

Finish : *Specify from Product literature*

Other requirements : Aluminium Cover Cowl, controllable rotating trickle vents

Fixing : Please consult Whitesales for recommendations



WHITESALES

DRG No 1642

Em-Dome polycarbonate double skin rooflight
complete with splayed Em-Curb PVCu 150mm high,
and controllable rotating trickle vents to two sides
installed to waterproofed builders curb